

Assembly Instructions

Aluminum Hitch Box

⚠ DANGER

Do not use this box to transport people. Do not let children play in or around this box. Young children can get locked inside this box. Do not use this hitch box for the storage or transportation of any kinds of flammables, explosives, hazardous waste or materials such as gasoline, solvents, gun powder, dynamite, propane tanks, acetylene tanks or cutting torches.

Description

Diamond plate aluminum hitch box, 300 lbs. capacity, designed to fit any 2" receiver. This box is suitable and safe for storing and transporting small items and equipment.

Tools Required

- 9/16" open end or box wrench
- 9/16" socket wrench

Assembly

Check contents of box against parts list to make sure all components are included.

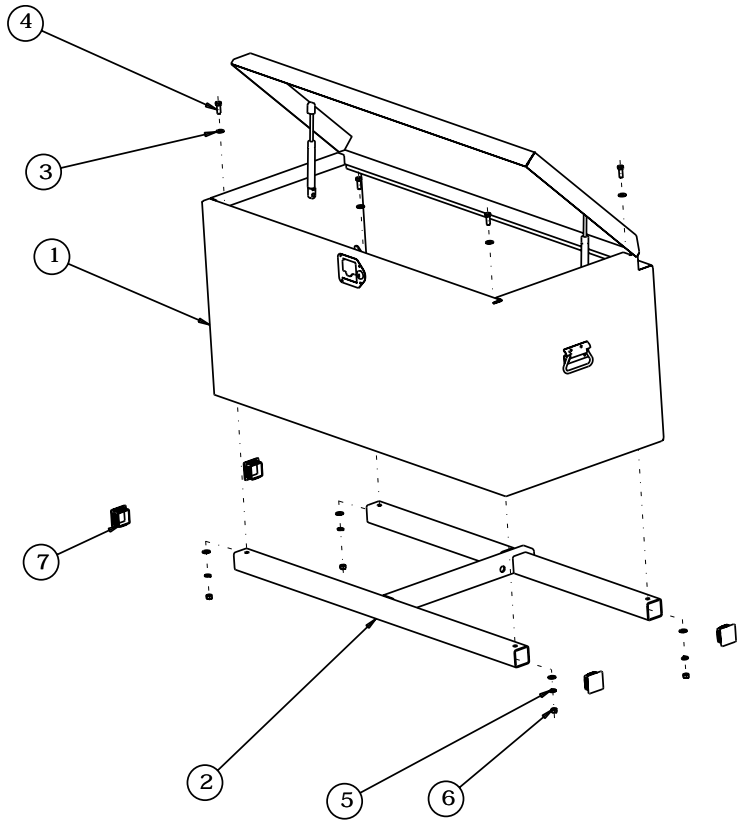
Pic. 1

1. Open hitch box and place it on its side.
2. Attach frame (2) to box (1) using 3/8-16 x 1.0 screws (4), 3/8 flat washers (3), 3/8 lock washers (5) and 3/8-16 nuts (6). Torque nuts until lock washer is completely compressed.
3. Press plastic plugs (7) into tube openings except center tube.

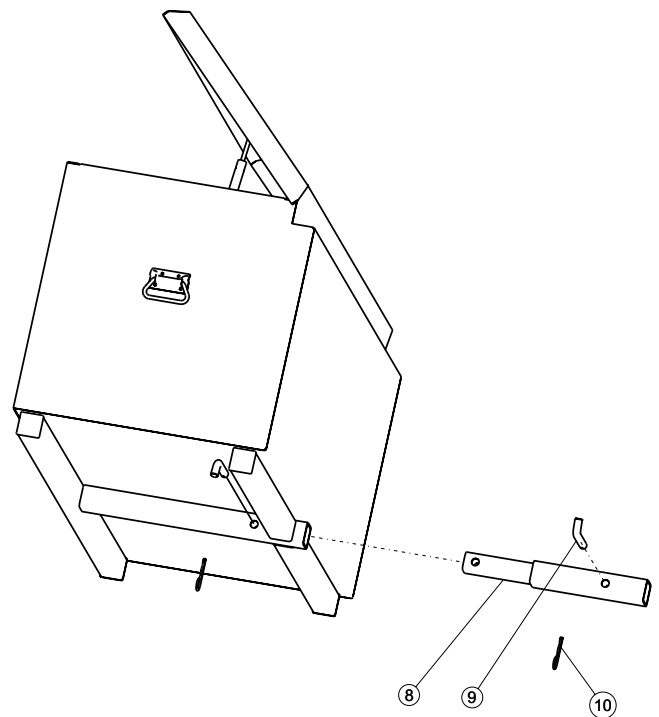
Pic. 2

4. Insert smaller end of adapter (8) into center tube of the frame. Align frame and adapter holes. Secure adapter inside frame with hitch pin (9). Secure hitch pin with cotter pin (10).
5. Insert larger end of adapter into 2" receiver. Align adapter and receiver holes. Secure hitch box in receiver using hitch and cotter pins.

Hitch box can be used as storage container. Disconnect adapter from frame to allow hitch box to be placed against a wall.



Pic. 1



Pic. 2



Bill of Materials

ITEM	PART NO.	QTY.	DESCRIPTION
1	3006066	1	Box, Hitch, Aluminum
2	3006099	1	Frame
3	-	8	Washer, Flat 3/8"
4	-	4	Screw, 3/8"-16 x 1.0
5	-	4	Washer Lock, 3/8"
6	-	4	Nut, 3/8"-16
7	3001360	4	Plug, 2" Square Plastic
8	3006100	1	Adapter
9	HP6253WC1	2	Hitch Pin
10	HP12	2	Cotter Pin

Warranty

Buyers Products Co. warrants all truck/trailer hardware manufactured or distributed by it, to be free from defects in material and workmanship for a period of one year from date of shipment. Parts must be properly installed and used under normal conditions. Any product which has been altered, including modification, misuse, accident or lack of maintenance will not be considered under warranty. Normal wear is excluded. The sole responsibility of Buyers Products Co. under this warranty is limited to repairing or replacing any part or parts which are returned, prepaid, and are found to be defective by Buyers Products Co. Authorization from Buyers Products Co. must be obtained before returning any part. No charges for transportation or labor performed on Buyers' products will be allowed under this warranty.