



TECHNICAL SERVICE BULLETIN

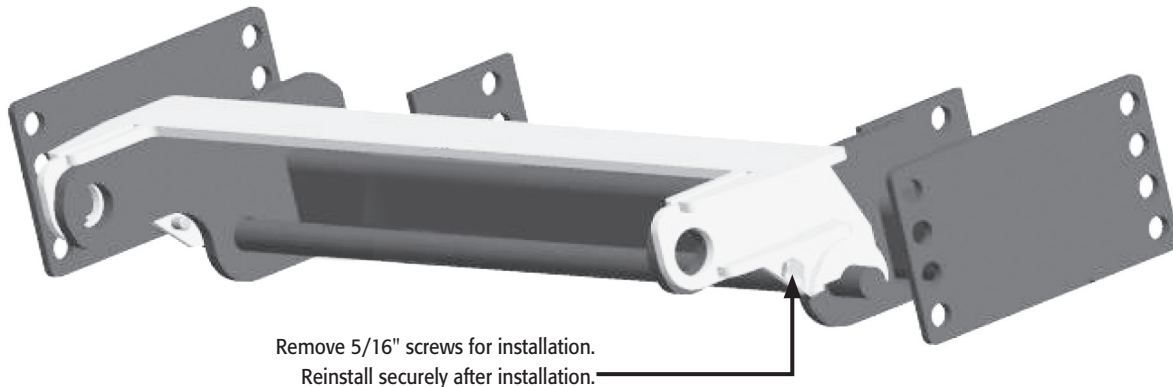
NUMBER	16TSB-48	TYPE	SERVICE ALERT		
TITLE	MD PLOWS S/N 8000-8500 PUSHBAR				
REV	A	ISSUED	9/24/2011	REVISED	-
AFFECTS	MD LIFT FRAMES 16015000 SERIAL NUMBERS 8000-8500				
INFORMATION	<p>MD LIFT FRAMES 16015000 with serial numbers 8000-8500 may unevenly load the pushbar causing the mount ears to bend potentially resulting in accidental disconnection of the plow when under side load. Plows earlier than S/N 8000 (single pedal) and later then S/N 8500 (dual pedal) are not affected.</p>				
INSTRUCTIONS	<p>MD PUSHBAR BRACKET 16069005 is available to owners/installers of these plows. 15 minutes of warranty time is allowed (actual installation time is ~5 minutes). RMA forms must be completed with serial number and installation information for part and labor credit.</p> <p>This bracket reinforces the existing MD pushbar ears and is not compatible with older single pedal designs. If a truck is being used with multiple MD plows, contact SnowDogg tech support.</p> <p>Again, this ONLY applies to S/N's 8000-8500 of MD series plows. Instructions are attached for reference.</p>				

Installation Instructions

16069005 MD Pushbar Brace Instructions

NOTE: This brace is designed to be mounted on to an existing installed MD pushbar if required by 16TSB-48. It will provide additional stiffness to the push bar ears without the need for welding or modification. It is only intended for use on MD Lift Frames (P/N 16015000) serial numbers 8000-8500.

1. Remove plow from vehicle.
2. Remove 5/16" screws (x2) from brace.
3. Install the 3018758 brace over the existing MD pushbar. The holes will align.
4. Reinstall the 5/16" screws securely. Loctite or equivalent may be used.



This bracket will not interfere with mounting of the plow. The holes on the bracket are oversized relative to the original push bar holes to allow for limited movement and will not affect performance.

Bill of Materials

ITEM	PART NO.	QTY.	DESCRIPTION
1	3018758	1	Pushbar Brace
2	—	2	5/16-18 X .625" HEX HEAD CAP SCREW

WARRANTY

Buyers Products Co. warrants all truck/trailer hardware manufactured or distributed by it, to be free from defects in material and workmanship for a period of one year from date of shipment. Parts must be properly installed and used under normal conditions. Any product which has been altered, including modification, misuse, accident or lack of maintenance will not be considered under warranty. Normal wear is excluded. The sole responsibility of Buyers Products Co. under this warranty is limited to repairing or replacing any part or parts which are returned, prepaid, and are found to be defective by Buyers Products Co. Authorization from Buyers Products Co. must be obtained before returning any part. No charges for transportation or labor performed on Buyers' products will be allowed under this warranty.