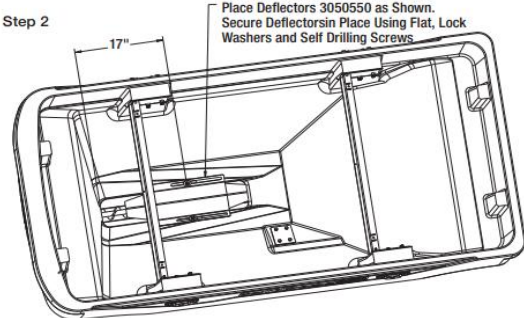




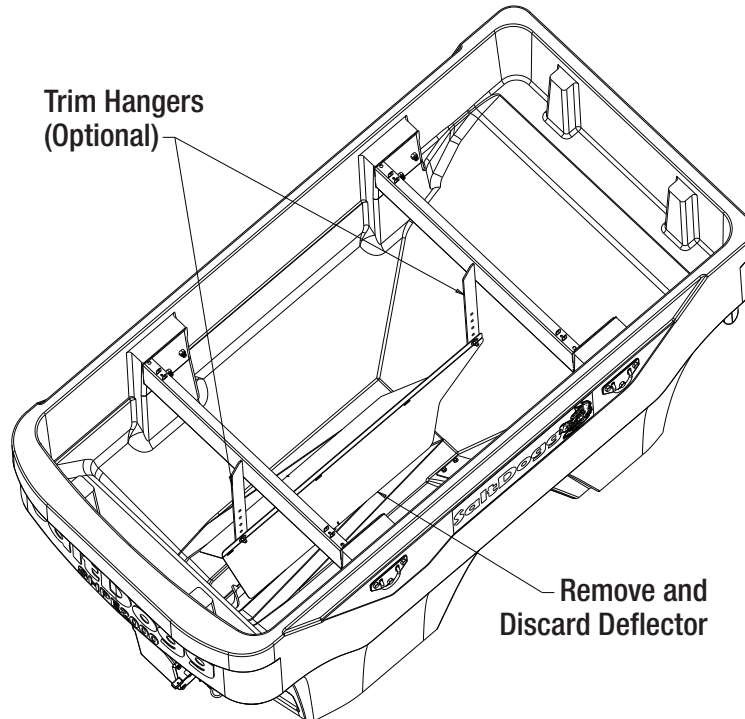
# TECHNICAL SERVICE BULLETIN

<b>NUMBER</b>	<b>SD-TSB-082321</b>	<b>TYPE</b>	<b>SERVICE ALERT</b>		
<b>TITLE</b>	<b>SHPE2000 SLOW MATERIAL FLOW</b>				
<b>REV</b>	<b>A</b>	<b>ISSUED</b>	<b>8/23/2021</b>	<b>REVISED</b>	<b>-</b>
<b>AFFECTS</b>	2018+ NEW STYLE SHPE2000 WITH INVERTED VEE				
<b>INFORMATION</b>	<p>The inverted vee used in the new style SHPE2000 (2018+) can be damaged or bent when loading salt - causing the auger to bog down and prevent normal material discharge. This is most noticeable at higher speeds (emptying into the salt pile) and typically does not impact normal operation.</p> <p>In 2021 the inverted vee was with a baffle system. This kit replaces the inverted vee and is fully backwards compatible. This ONLY applies to SHPE2000's with inverted vee's.</p>				
<b>INSTRUCTIONS</b>	<p>Affected customers may contact their dealer. Dealers may contact BPC customer service to request a 3052032 SHPE2000 kit under warranty. Instructions are attached for reference. All hardware required is included and the inverted vee may be scrapped in field.</p> <div style="text-align: right;"> <p>Step 2</p>  </div>				

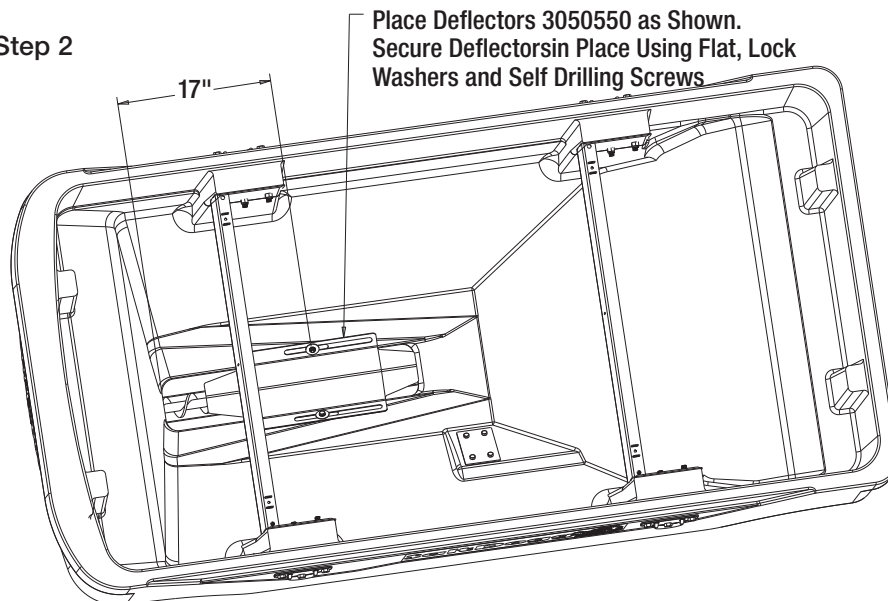
# Installation Instructions

## Deflector Kit

Step 1



Step 2



### WARRANTY

Buyers Products Co. warrants all truck/trailer hardware manufactured or distributed by it, to be free from defects in material and workmanship for a period of one year from date of shipment. Parts must be properly installed and used under normal conditions. Any product which has been altered, including modification, misuse, accident or lack of maintenance will not be considered under warranty. Normal wear is excluded. The sole responsibility of Buyers Products Co. under this warranty is limited to repairing or replacing any part or parts which are returned, prepaid, and are found to be defective by Buyers Products Co. Authorization from Buyers Products Co. must be obtained before returning any part. No charges for transportation or labor performed on Buyers' products will be allowed under this warranty.