

# SnowDogg

by **Buyers**



## SERVICE ALERT

16-TSB14

## URGENT ALERT

### MD A-FRAME/SECTOR KING BOLT

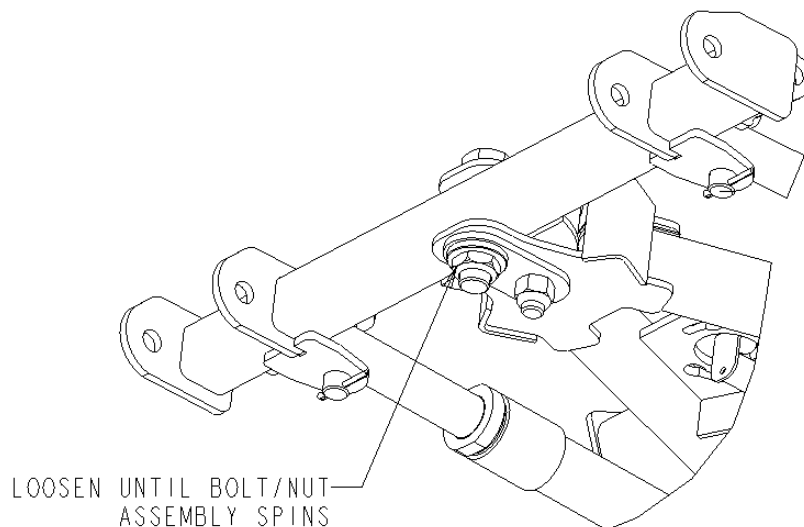
APPLIES TO:

MD LIFT FRAME KIT (16015000)

On certain MD Lift Frame's, the king bolt securing the sector to the a-frame was **over-tightened**. While the plow will function normally, this will result in decreased speed and increased wear on the painted surfaces of the sector and a-frame.

This can be rectified by loosening the nylock nut on the underside of the a-frame that secures the king bolt.

Loosen the nut until the nut/bolt assembly begins to spin freely. This will increase the angling speed of the plow and reduce power drain on the vehicle.



**It is recommended that all MD plows be checked for this issue as part of normal installation.**

We apologize for the inconvenience.