



**SaltDogg**  
by Buyers

# ANTI-ICE SYSTEMS

GAS / HYDRAULIC / ELECTRIC



**NOTHING WORKS LIKE A DOGG™**

# Our History



## Our Corporate Family of Companies



Founded in 1946, Buyers Products is a fully integrated manufacturer and a leader in the truck equipment industry. Our engineering, manufacturing and assembly operations take place in the USA, under the Buyers family of companies. **Buyers Products' mission is to improve our Customers' profitability and productivity while enhancing the quality of our products and services.**



**1946**  
Buyers Products Company founded by Sam Ruven and Bessie Kleinman as a distributor of driveline components.



**1992**  
Buyers acquired Trailer Components Manufacturing (Tracom) for CNC precision machining and tooling, as well as state-of-the-art welding.



**2002**  
Buyers moved its corporate headquarters to a brand new 235,000 sq. ft. state-of-the-art office and distribution center.



**2007**  
Buyers began manufacturing the SnowDoggs stainless steel snowplow at our Mentor, Ohio facility.



**2013**  
Buyers acquired an additional 500,000 sq. ft. manufacturing facility in Mentor, Ohio allowing for expansion of our aluminum and stainless steel manufacturing.



**ALL YOUR WORK TRUCK PRODUCTS ALL THE TIME.**

**2017**  
Buyers launches new website with business partner portal, to make online ordering and account maintenance easy for customers.



Buyers continued to grow its product offerings and build valued relationships with customers and suppliers. Increased demand for products led to the pursuit of supply chain manufacturing solutions.



**1995**  
Buyers acquired Progressive Powder Coating. Our Nordson automatic powder application booth is used to powder coat our Buyers toolboxes and other truck and trailer accessories.



**2004**  
Buyers acquired Romotech in New Paris, Indiana. Our Ferry Industries Rotospeed molding machines are used to manufacture our poly salt spreaders.



**2009**  
Buyers began our operations at Boomerang Rubber, in Botkins, Ohio manufacturing mudflaps, wheel chocks and other rubber truck and trailer accessories.



**2016**  
Buyers establishes a 22,000 sq ft Engineering Tech Center in Mentor, Ohio. It's multi-use lab, design, training and prototyping space is dedicated to the research and development of innovative product.

# PRODUCT SPECS

**CAUTION:** If you want to use a ground speed-oriented controller, you must purchase a system with a liquid flow meter. Systems without a liquid flow meter cannot be used with any ground speed oriented controller.

SaltDogg® Anti-Ice systems come configured for either manual (on/off) control or for use with an automatic ground speed controller.

**Ground speed controller sold separately.**

## HYDRAULIC SYSTEMS PG. 4-5

PART NO.	TANK SIZE (GALLONS)	FLOW RATE (GPM)	INCLUDES LIQUID FLOW METER	SPRAY BAR (# OF LANES)	SPRAY BAR MATERIAL
6192710	1,065	235	✗	1	Stainless
6192711	1,065	235	✓	1	Stainless
6192715	1,065	235	✗	3	Stainless
6192716	1,065	235	✓	3	Stainless
6192730	1,750	235	✗	1	Stainless
6192731	1,750	235	✓	1	Stainless
6192735	1,750	235	✗	3	Stainless
6192736	1,750	235	✓	3	Stainless

## GAS SYSTEMS PG. 6-7

PART NO.	TANK SIZE (GALLONS)	FLOW RATE (GPM)	INCLUDES MOMENTARY SWITCH	INCLUDES LIQUID FLOW METER	SPRAY BAR (# OF LANES)	SPRAY BAR MATERIAL
6191120	550	25	✓	✗	1	PVC
6191121	550	25	✓	✗	1	PVC
6191610	1,065	185	✓	✗	1	Stainless
6191611	1,065	185	✗	✓	1	Stainless
6191615	1,065	185	✓	✗	3	Stainless
6191616	1,065	185	✗	✓	3	Stainless
6191630	1,750	185	✓	✗	1	Stainless
6191631	1,750	185	✗	✓	1	Stainless
6191635	1,750	185	✓	✗	3	Stainless
6191636	1,750	185	✗	✓	3	Stainless

## ELECTRIC SYSTEMS PG. 8-9

PART NO.	TANK SIZE (GALLONS)	FLOW RATE (GPM)	INCLUDES ON/OFF SWITCH	SPRAY BAR (# OF LANES)	SPRAY BAR MATERIAL
6190110	Tank Not Included	6	✓	1	PVC
6190120	55	6	✓	1	PVC
6190150	210	6	✓	1	PVC
6190160	325	6	✓	1	PVC
6190170	550	6	✓	1	PVC

## OPTIONS, SERVICE PARTS, AND TANKS PG. 10-15

# CUSTOM CONFIGURATIONS AVAILABLE

Buyers Products is proud to present a variety of custom Anti-Ice configurations and options. Buyers combines expertise in the snow and ice management industry with vertically integrated manufacturing to offer the best options at competitive prices. Please call, fax, or email your requirements to receive a quote.

p. (440)974-8888 ex. 1169

f. (800)841-8003

e. [anti-ice@buyersproducts.com](mailto:anti-ice@buyersproducts.com)

**Custom configuration may include:**

- Tank Sizes
- Frame Finishes
- Drive Options
- Spray Bar Options
- Controller Options

# HYDRAULIC **ANTI-ICE** SYSTEMS

**Powered by 235 GPM Hydraulic Pumps with an Oil Requirement of 0-11 GPM**

*Intended for use with existing hydraulic systems (see page 10 for valve and control options).*



6192716 shown above

## HYDRAULIC SYSTEM FEATURES

### **UV Stabilized, High Density Polyethylene Tank**

Tanks include internal baffling to help minimize "sloshing" for better vehicle control.

### **Included Powder-Coated Leg Frame Stand**

For easy loading and unloading from the truck and convenient off-season storage.

### **Stainless Steel Spray Bar**

One or three lane liquid coverage.

### **Clip-On Spray Nozzles with Adjustable Angle**

Nozzles adjust to apply proper surface coverage and are removable for easy cleaning and maintenance.

### **Manifold-Type Fittings**

Built with glass-injected polypropylene to support leak-free connections and easy service.



6192736 shown above

### Systems NOT Intended for Use with a Ground Speed Oriented Controller

The systems below **DO NOT include a liquid flow meter** and are not compatible with ground speed oriented controllers. These systems control liquid application manually via a proportional hydraulic valve that is plumbed into a vehicle's existing hydraulic system.

If the vehicle's current hydraulic system does not have a proportional control valve, Buyers Products offers part number **LSV12** Proportional Liquid Spray Valve as a retro-fit. Buyers Products part number **WSE1** In-Cab Controller is recommended to electronically operate the valve from the cab in order complete the system.

**(Valve and controller sold separately, see page 10 for details)**

PART NO.	TANK SIZE (GALLONS)	FLOW RATE	SPRAY BAR
6192710	1065	235 GPM	1 Lane Stainless
6192715	1065	235 GPM	3 Lane Stainless
6192730	1750	235 GPM	1 Lane Stainless
6192735	1750	235 GPM	3 Lane Stainless

### Systems Intended for Use with a Ground Speed Oriented Controller (Controllers Sold Separately)

The systems below **include a liquid flow meter** and are compatible with any ground speed oriented controller. Please note that **controllers are NOT included** in these kits and must be purchased separately.

Buyers Products offers the **9021000 Micro-Track® Roadmaster™ controller**. It offers precise and automatic liquid application, and features a GPS ground speed sensor.

**(Controller sold separately, see page 10 for details)**

PART NO.	TANK SIZE (GALLONS)	FLOW RATE	SPRAY BAR
6192711	1065	235 GPM	1 Lane Stainless
6192716	1065	235 GPM	3 Lane Stainless
6192731	1750	235 GPM	1 Lane Stainless
6192736	1750	235 GPM	3 Lane Stainless

# GAS ANTI-ICE SYSTEMS

Powered by Honda® Engines: 5 HP for 185 GPM Systems/2.8 HP for 25 GPM Systems



6191121 shown above  
with optional 3039076 hose reel and spray gun kit

## GAS SYSTEM FEATURES

### UV Stabilized, High Density Polyethylene Tank

1,065 and 1,750 gallon tanks include internal baffling to help minimize "sloshing" for better vehicle control.

### Included Powder-Coated Leg Frame Stand

For easy loading and unloading from the truck and convenient off-season storage.

### Stainless Steel or PVC Spray Bar

One or three lane liquid coverage.

### Clip-On Spray Nozzles with Adjustable Angle

Nozzles adjust to apply proper surface coverage and are removable for easy cleaning and maintenance.

### Manifold-Type Fittings

Built with glass-injected polypropylene to support leak-free connections and easy service.

No hitch receiver? No problem. See page 11 for a PVC Spray Bar Auxiliary Mounting Kit.



6191121 shown above with optional 3039076 hose reel and spray gun kit

## Manual Systems

Include a momentary switch to manually adjust flow-rate



3014187 "Switch" & 3014188 "Bracket"

## Systems Intended for Use with a Ground Speed Oriented Controller (Controllers Sold Separately)

The systems below **include a liquid flow meter** and are compatible with any ground speed oriented controller. Please note that **controllers are NOT included** in these kits and must be purchased separately.

Buyers Products offers the **9021000 Micro-Track® Roadmaster™ controller**. It offers precise and automatic liquid application, and features a GPS ground speed sensor.

**(Controller sold separately, see page 10 for details)**

PART NO.	TANK SIZE (GALLONS)	FLOW RATE	SPRAY BAR
6191120	550	25 GPM	1 Lane PVC
6191610	1065	185 GPM	1 Lane Stainless
6191615	1065	185 GPM	3 Lane Stainless
6191630	1750	185 GPM	1 Lane Stainless
6191635	1750	185 GPM	3 Lane Stainless

PART NO.	TANK SIZE (GALLONS)	FLOW RATE	SPRAY BAR
6191121†	550	25 GPM	1 Lane PVC
6191611	1065	185 GPM	1 Lane Stainless
6191616	1065	185 GPM	3 Lane Stainless
6191631	1750	185 GPM	1 Lane Stainless
6191636	1750	185 GPM	3 Lane Stainless

# ELECTRIC ANTI-ICE SYSTEMS

Powered by a 12V, 18 Amp, 6 GPM Electric Pump



6190120 shown above  
with optional 3039076 hose reel and spray gun kit

## ELECTRIC STANDARD FEATURES

### **UV Stabilized, High Density Polyethylene Tank**

For reliable, corrosion resistant brine storage.

### **Hitch-Mounted Electric Pump and PVC Spray Bar**

Easily remove pump enclosure and spray bar when not in use.

### **Clip-On Spray Nozzles with Adjustable Angle**

Nozzles adjust to apply proper surface coverage and are removable for easy cleaning and maintenance.

### **Electric Operation**

Quiet and easy to maintain. Ideal for most off-road applications.

No hitch receiver? No problem. See page 11 for a PVC Spray Bar Auxiliary Mounting Kit.



6190170 shown

## Manual Systems Include an Electric "On/Off" Backlit Switch

Any flow rate adjustments must be made on electric pump valve.

PART NO.	TANK SIZE (GALLONS)	FLOW RATE	SPRAY BAR
6190110	Tank Not Included	6 GPM	1 Lane PVC
6190120	55	6 GPM	1 Lane PVC
6190150	210	6 GPM	1 Lane PVC
6190160	325	6 GPM	1 Lane PVC
6190170	550	6 GPM	1 Lane PVC

## Controller

Standard On/Off Backlit Switch



- Backlit switch turns pump on/off for simple operation.

6391001

# OPTIONS

## MICRO-TRAK® ROADMASTER™ (Sold Separately)



9021000

- Set application rate and go! System uses ground speed (based off GPS) to determine appropriate liquid application
- High contrast Liquid Crystal Display with large easy-to-read numbers
- Heavy-duty rotary switch for quick function selection
- Includes Garmin® Astro™ 5 GPS Ground Speed Sensor
- 3 integrated boom section on/off switches
- Blast button for quick blast of liquid
- Keylock lockout switch allows supervisor to prevent unauthorized changes to calibration settings or data counters
- Includes all needed mounting hardware
- **VRA/AVL Communications:** Variable Rate Application capability allows rate control or data logging via external device

PART NO.	DESCRIPTION
----------	-------------

9021000	Micro-Trak® Roadmaster™
---------	-------------------------

## 5-SWITCH PREWIRED PANEL (Sold Separately)



3034457

- Allows left, center, and right boom sections to be controlled independently
- Includes a master on/off switch and 2 additional auxiliary switches
- **For use with manual hydraulic and gas systems**

PART NO.	DESCRIPTION
----------	-------------

3034457	5-Switch Prewired Panel
---------	-------------------------

## PROPORTIONAL CONTROL VALVE AND ELECTRIC IN-CAB CONTROLLER FOR HYDRAULIC SYSTEMS

If the vehicle's current hydraulic system does not have a proportional control valve, Buyers Products offers part number **LSV12** Proportional Liquid Spray Valve as a retro-fit. Additionally, the Buyers Products part number **WSE1** In-Cab Controller is recommended to electronically operate the valve from the cab in order complete the system.



LSV12



WSE1

PART NO.	DESCRIPTION
----------	-------------

LSV12	Proportional Liquid Spray Valve
-------	---------------------------------

PART NO.	DESCRIPTION
----------	-------------

WSE1	SaltDogg® Liquid Spray System Controller
------	--

## HOSE REEL KITS



3035046

### For Larger Volume Systems

- 50 ft hose on spring-loaded, retractable reel
- Includes gun and adjustable nozzle
- Includes hardware needed to plumb to hydraulic and gas systems
- **Works with all 1-3 lane stainless steel spray bar systems**

PART NO.	DESCRIPTION
3035046	Hose Reel Kit for Larger Volume Systems



3039076

### For Smaller Volume Systems

- 50 ft hose on spring-loaded, retractable reel
- Includes gun and adjustable nozzle
- **For use with 550 gallon gas and all electric pickup systems** (6191120, 6191121, 6190110, 6190120, 6190150, 6190160, and 6190170)

PART NO.	DESCRIPTION
3039076	Hose Reel Kit for Smaller Volume Systems

## 3-WAY LOADING VALVE



3038494

- Allows the tank to be filled through the bottom output port

PART NO.	DESCRIPTION
3038494	3-Way Loading Valve

## FRESH WATER FLUSH KIT



3050253

- 3 way valve allows to flush/clean out pump and nozzles with fresh water after each snow event
- Designed to seamlessly integrate with standard 2" cross over kits

PART NO.	DESCRIPTION
3050253	Fresh Water Flush Kit

## PVC SPRAY BAR AUXILIARY MOUNTING KIT



3038505

- Allows 1 lane PVC spray bar to be mounted on frame without using the vehicle receiver tube
- Mounting hardware included
- For use with 6191120, 6191121

PART NO.	DESCRIPTION
3038505	PVC Spray Bar Auxiliary Mounting Kit

# SERVICE PARTS

## 3 LANE STAINLESS STEEL SPRAY BAR (WORKS WITH ALL 3 LANE SYSTEMS)



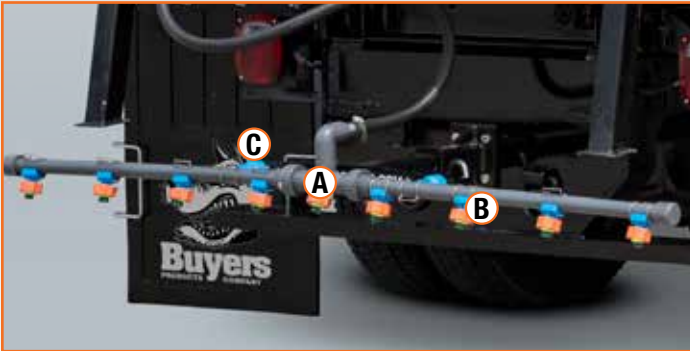
### COMPLETE KIT

PART NO.	DESCRIPTION
3028946	3 Lane Stainless Steel Spray Bar System <i>Includes: Spray Bar, Nozzles, Check Valves, Hose Couplers, and Mounting Kit</i>

### COMPONENTS

PART NO.	DESCRIPTION
3039395	A – Quick Connect Spray Nozzle, Straight, Center Lane Bar
3039452	B – Quick Connect Spray Nozzle, 45°, Center Lane Section
3033911	C – Quick Connect Spray Nozzle Straight, Left and Right Lane Sections
3039451	D – Quick Connect Spray Nozzle, 45°, Left and Right Lane Sections
3033908	E – Check Valve, PVC, 1-1/4" NPT

## 1 LANE PVC SPRAY BAR FOR 25 GPM GAS SYSTEMS



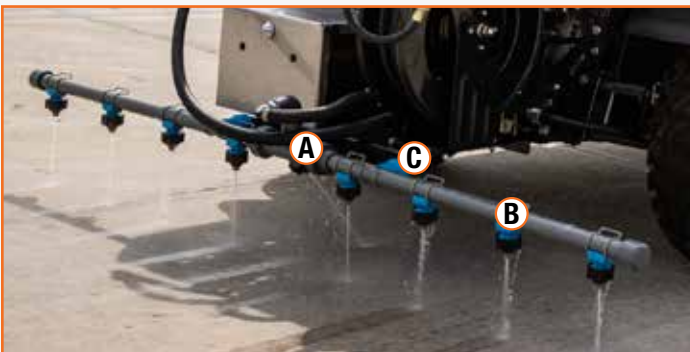
### COMPLETE KIT

PART NO.	DESCRIPTION
3038429	Single Lane PVC Spray Bar System for 25 GPM Liquid Pumps <i>Includes: Spray Bar, Nozzles, Hose Fitting, and Quick Connect Spacer Kit</i>

### COMPONENTS

PART NO.	DESCRIPTION
3038432	A – Center Threaded Nozzle
3038431	B – Quick Connect Nozzle for Left and Right Spray Bars
3046793	C – Quick Connect Spacer Kit for 1" SCH80 PVC Spray Bars

## 1 LANE PVC SPRAY BAR FOR 6 GPM ELECTRIC SYSTEMS



### COMPLETE KIT

PART NO.	DESCRIPTION
WSE164	Single Lane PVC Spray Bar System for 6 GPM Electric Pumps <i>Includes: Spray Bar, Nozzles, Hose Fitting, and Quick Connect Spacer Kit</i>

### COMPONENTS

PART NO.	DESCRIPTION
WSE133	A – Center Threaded Nozzle
WSE159	B – Quick Connect Nozzle for Left and Right Spray Bars
3046793	C – Quick Connect Spacer Kit for 1" SCH80 PVC Spray Bars

## RATCHET TIE DOWN STRAP



01055



5483000

PART NO.	DESCRIPTION
01055	Ratchet Straps for 550 Gallon Tanks
5483000	Ratchet Straps for 210 and 325 Gallon Tanks

## GAS ENGINES AND CONTROL VALVES



3038083



3038084

PART NO.	DESCRIPTION
3034444	5.5 HP Honda Gas Engine with 185 GPM Liquid Pump
3038083	2.8 HP Honda Gas Engine with 25 GPM Liquid Pump
3034123	3 Way Control Valve Complete Assembly (Used on 5.5 HP Honda Gas Engine Pumps)
3038084	3 Way Control Valve Complete Assembly (Used on 2.8 HP Honda Gas Engine Pumps)

## HYDRAULIC DRIVEN LIQUID PUMP



- Hydraulic driven centrifugal pump
- 11 GPM hydraulic motor
- Maximum Flow: 240 GPM - Maximum Pressure: 120 PSI
- Severe duty silicon carbide seal
- Stainless steel shaft and wear ring
- Chemical resistant impeller with stainless steel insert
- 300 flange (suction) x 220 flange (discharge)

PART NO.	DESCRIPTION
3027750	Hydraulic Driven Liquid Pump

## 3 SECTION ON/OFF VALVE



PART NO.	DESCRIPTION
3034454	3 Section Electric Actuated ON/OFF Boom Shut Off Manifold Valve for Individual Lane Control

## LIQUID FLOW METERS (MANUAL TO AUTOMATIC SYSTEMS)



3038933

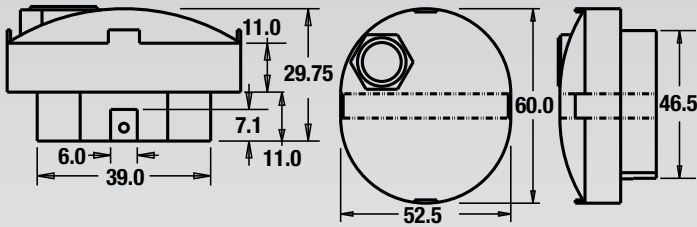


3033934

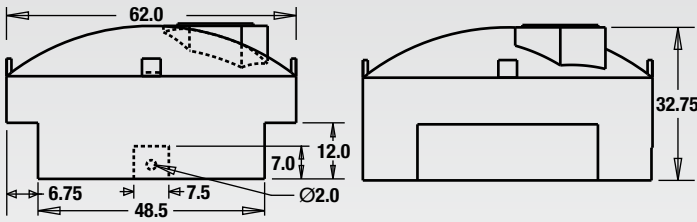
PART NO.	DESCRIPTION
3038933	0.75" Liquid Flow Meter (Used to Convert 550 Gallon Manual Systems to Automatic Systems)
3033934	1.5" Liquid Flow Meter (Used to Convert 1,065+ Gallon Manual Systems to Automatic Systems)

# TANKS

## ROUND VERTICAL TANKS

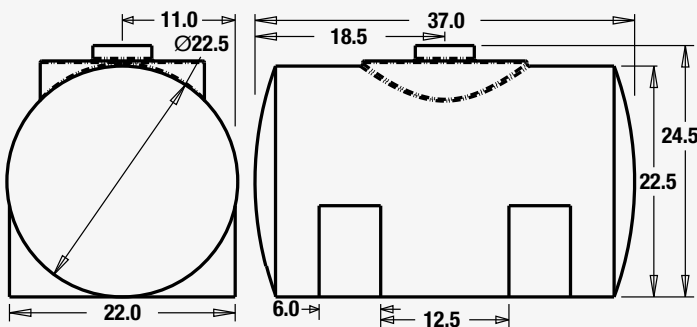


PART NO.	CAPACITY (GALLONS)	WT. (LBS.)
82124639	210	90



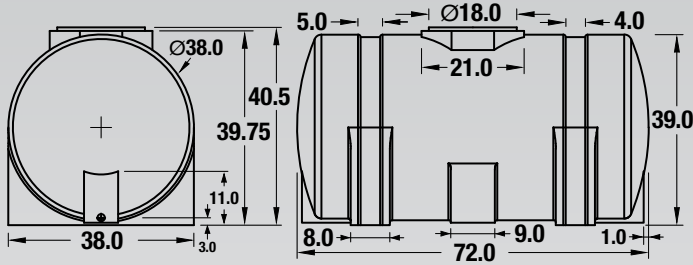
PART NO.	CAPACITY (GALLONS)	WT. (LBS.)
82124649	325	110

## TWO LEG TANKS

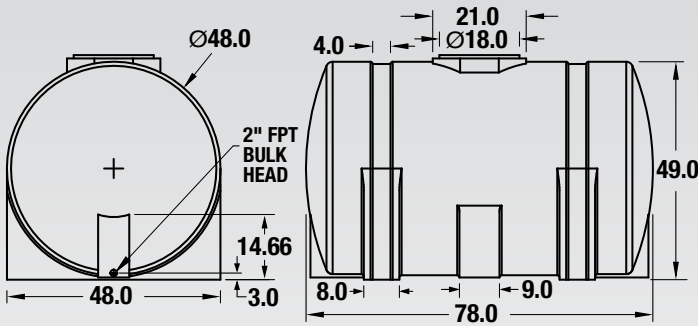


PART NO.	CAPACITY (GALLONS)	WT. (LBS.)
WSE26	55	51

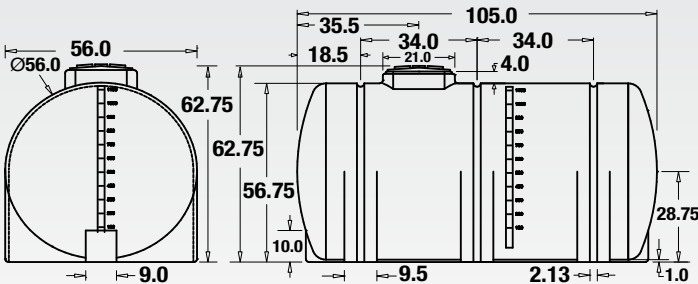
## THREE LEG TANKS



PART NO.	CAPACITY (GALLONS)	WT. (LBS.)
82124259	325	110



PART NO.	CAPACITY (GALLONS)	WT. (LBS.)
82124269	550	160

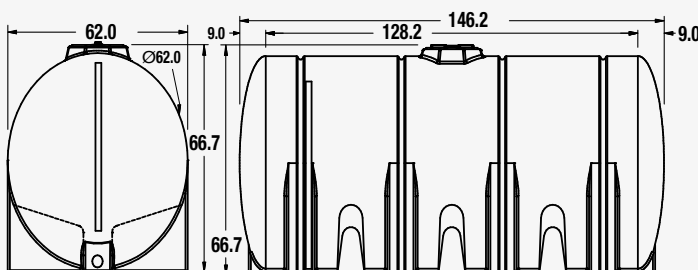


PART NO.	CAPACITY (GALLONS)	WT. (LBS.)
3027742	1065	500

*3 Mounting Hoops and Internal Baffles Included.*



## FOUR LEG TANKS



PART NO.	CAPACITY (GALLONS)	WT. (LBS.)
3035110	1750	616

*4 Mounting Hoops and Internal Baffles Included.*

# The Buyers family of manufacturing companies

**Tracom**

**B** **Boomerang**  
RUBBER, INC.

 **Romotech**  
Rotational Molding Technologies, Inc.

**P** **PROGRESSIVE**  
POWDER COATING, INC.

[www.buyersproducts.com](http://www.buyersproducts.com)

