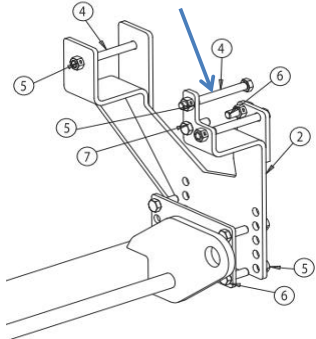




TECHNICAL SERVICE BULLETIN

NUMBER	16TSB-54			TYPE	INSTALLATION ALERT		
ROUTING	INSTALL	X	SERVICE	X	SALES	PURCH	
TITLE	16062115 BOLT LENGTH						
REV	A		ISSUED	10/30/2012	REVISED	-	
AFFECTS	16062115 MOUNT HARDWARE KIT INSTALLATION						
INFORMATION	<p>SOME 16062115 MOUNT KITS WERE SHIPPED WITH 6" BOLTS (ITEM 4). ONE OF THESE BOLTS (WITH THE ARROW) MAY NOT TIGHTEN PROPERLY.</p>						
INSTRUCTIONS	<p>INSTALL 4X 1/2" FLAT WASHERS (2 ON EACH SIDE) ON THE BOLT TO ENSURE PROPER TIGHTENING. THIS BOLT WILL BE CHANGED TO 5-1/2" IN FUTURE PRODUCTION.</p>						